
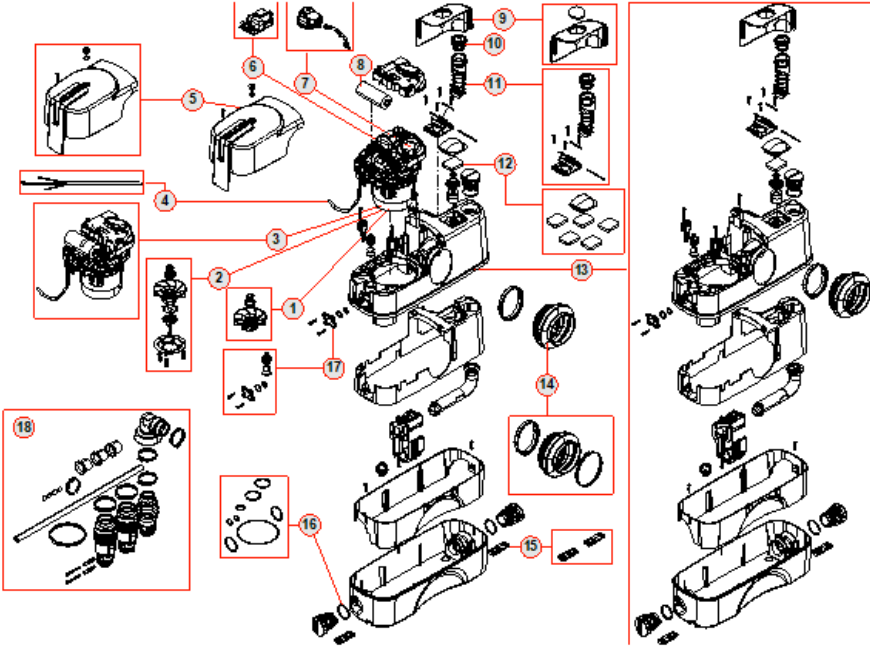


|  | | Spare parts list | | Revision number | Page 1 |
|---|--|------------------|----------|-----------------|-----------|
| WATER TECHNOLOGY | | Customer | Supplier | | |
| Company name Dept. Editor Phone number Fax no. E-mail | | | | | |
| Model - Revision @ Code_Document version Attention: check the correspondence with the revision of your product | | | | | |
| Pos.no | Description | Item no. | Quant. | UP | |
| GENX COMFORT 130 V230/50 SCHUKO - N.1.-- @ 60165318_a_d | | | | | |
|  | | | | | |
| 1 | (SP) IMPELLER BEND SHAPE | SP00001310 | 1 | Price on req. | |
| 2 | (SP) KIT GRINDER + IMPELLER | SP00001311 | 1 | Price on req. | |
| 3 | (SP) COMPLETE FLANGE GROUP - V230-50Hz | SP00001312 | 1 | Price on req. | |
| 4 | (SP) CABLE L 1,54M H05VV-F SCHUKO PLUG | SP00001314 | 1 | Price on req. | |
| 5 | (SP) MOTOR COVER | SP00001315 | 1 | Price on req. | |
| 6 | (SP) PCB V230/50Hz | SP00001316 | 1 | Price on req. | |
| 7 | (SP) PRESSURE SWITCH 100PA | SP00001321 | 1 | Price on req. | |
| 8 | (SP) CAPACITOR 20uF 425V 30000h P2 DOUBLE FASTON | SP00001322 | 1 | Price on req. | |
| 9 | (SP) PIPE COVER | SP00001323 | 1 | Price on req. | |
| 10 | (SP) GROUP NRV VALVE | SP00001324 | 1 | Price on req. | |
| 11 | (SP) KIT OUTLET + NRV | SP00001325 | 1 | Price on req. | |
| 12 | (SP) KIT N°5 AIR FILTERS | SP00001326 | 1 | Price on req. | |
| 13 | (SP) KIT TANK 130 COMFORT W/O MOTOR COVER | SP00001334 | 1 | Price on req. | |
| 14 | (SP) FLEX CONNECTION OVAL | SP00001328 | 1 | Price on req. | |
| 15 | (SP) FIXING BRACKETS | SP00001329 | 1 | Price on req. | |
| 16 | (SP) KIT O-RING | SP00001330 | 1 | Price on req. | |
| 17 | (SP) KIT ROTATING TAP | SP00001332 | 1 | Price on req. | |
| 18 | (SP) KIT ACCESSORY 130 | SP00001333 | 1 | Price on req. | |

Project

Creation software

Spaix® 5-2019.3 - 2019/11/29 (B)

Issue date

03/12/2019

Last update

03/12/2019